

## Accelerate your innovation in healthcare and medical devices



Healthcare is one of the application areas addressed by MiPlaza's services accessible at the High-Tech Campus Eindhoven. From device technologies and systems creation, to materials analysis, test and measurement, discover the possibilities yourself at [www.miplaza.com](http://www.miplaza.com).

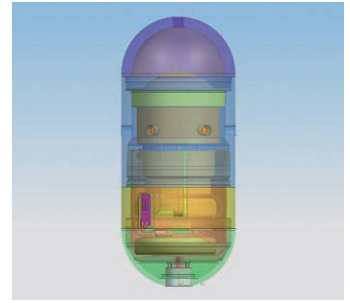
Finding the right answer to your innovation challenge often requires access to state-of-the-art infrastructure and expertise. And that's where MiPlaza (Microsystems Plaza) can help you, providing easy access to state-of-the-art facilities and process know-how to help you to turn your ideas into reality. In fact we can help you with virtually every step along the path from your initial idea to realization. In a world of increasing technological complexity, MiPlaza provides fast and cost-effective access to the advanced technology and know-how that will help you accelerate your pace of innovation.

### Helping you turn concepts into reality.

Drawing on decades of experience within the renowned Philips Research organization, our services range from thin film processing and systems-in-package in our cleanrooms, to hardware/software prototyping, right through to test, measurement and materials analysis for evaluating the performance of your design. With our state-of-the-art infrastructure, advanced expertise and process know-how, we help you accelerate your innovation, enabling you to turn concepts into reality.



# MiPlaza, innovation enablers for healthcare



## MiPlaza in healthcare

The range of MiPlaza's expertise applicable to the healthcare domain is wide and varied, offering technical expertise and assistance with your clinical validation, with applications in the home and the hospital.

Furthermore, MiPlaza understands the unique demands that professional medical applications place on technical development projects. ISO 13485 certification is anticipated end 2009.

## Versatility and Flexibility

You can use our services in different ways - simply choose which address your needs best. Come right into our cleanroom facilities to perform your own research and development work. Commission us to make a prototype to your design. Or use our consultancy support to think with you in your innovation process.

## Open innovation at High Tech Campus Eindhoven

Operating in the Open Innovation environment of the High Tech Campus Eindhoven, MiPlaza stimulates opportunities for new business growth, enabling companies, start-ups and research institutes to realize their full innovation potential. Customer confidentiality is respected at all times. MiPlaza serves numerous customers inside and outside Philips, from multinationals to small and medium-size enterprises, to multi-partner knowledge institutes.

## MiPlaza capabilities

### Device Technologies

- Device integration and platforms
- Device enabling process technologies
- Thin-film process integration and prototyping
- Thin film processing

### Systems Creation

- Integral product proof of concept
- Electronic design and consultancy
- Mechatronics
- Small scale HW/SW prototyping
- Agile SW engineering

### Test Measurement & Analysis

- Trace analysis and contamination control
- Surface and thin film characterization
- Polymer characterization
- Inorganic materials characterization
- Failure analysis and reliability testing
- Operating life testing & characterization

Ideas  
Concepts

Prototypes  
Demonstrators

Products

## MiPlaza flexibility

### Expertise

research support & expert consultancy

Co-develop new products & technologies

### Prototyping

products & product services

Manufacture new modules & products

### Facilities

open access labs & instrumentation

Use labs, equipment & technologies



For more information:  
Tel +31 40 2747896  
contact@miplaza.com  
www.miplaza.com

©2009 Koninklijke Philips Electronics N.V.  
All rights reserved.

MiPlaza, world-class expertise working for you